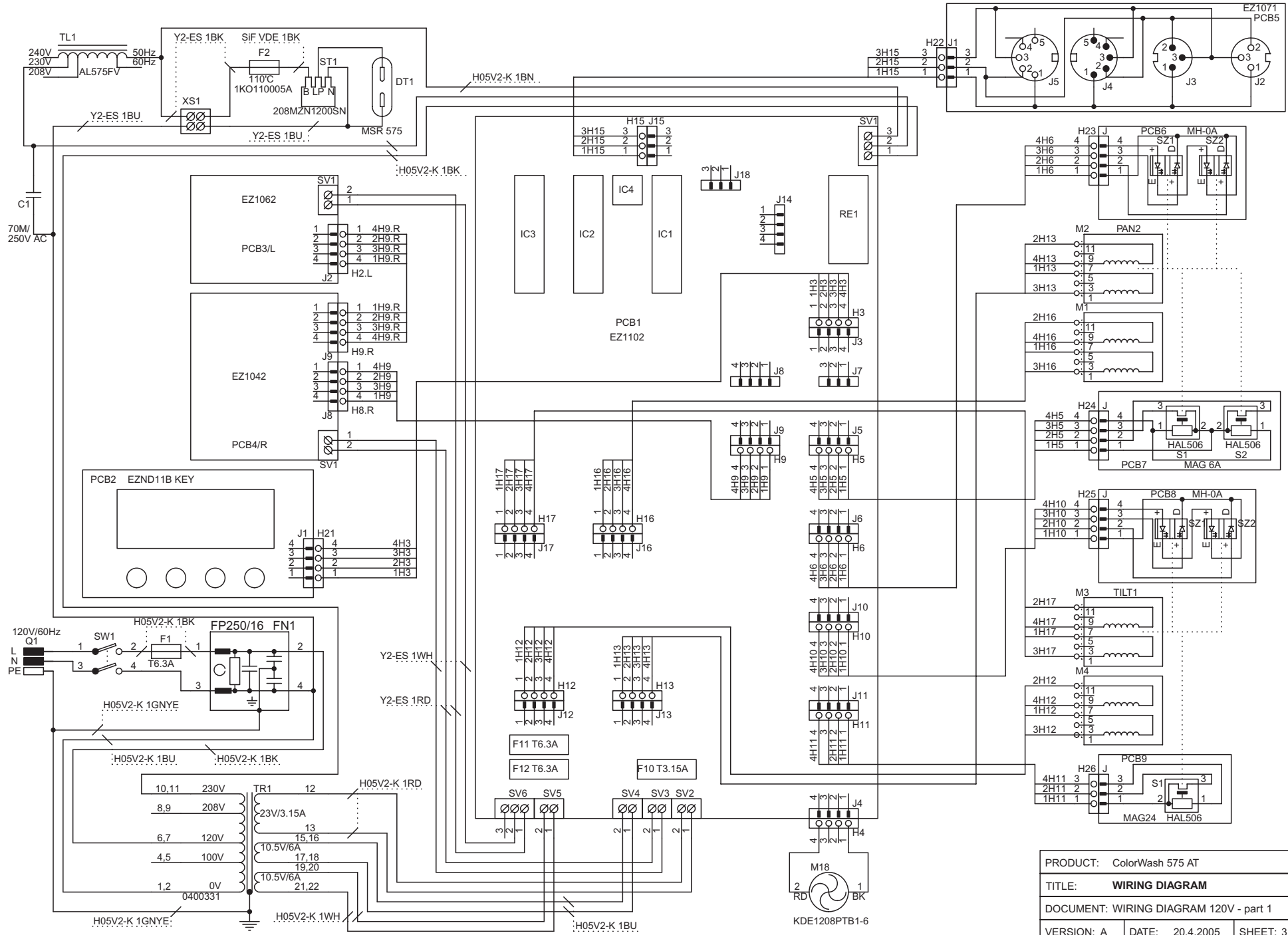
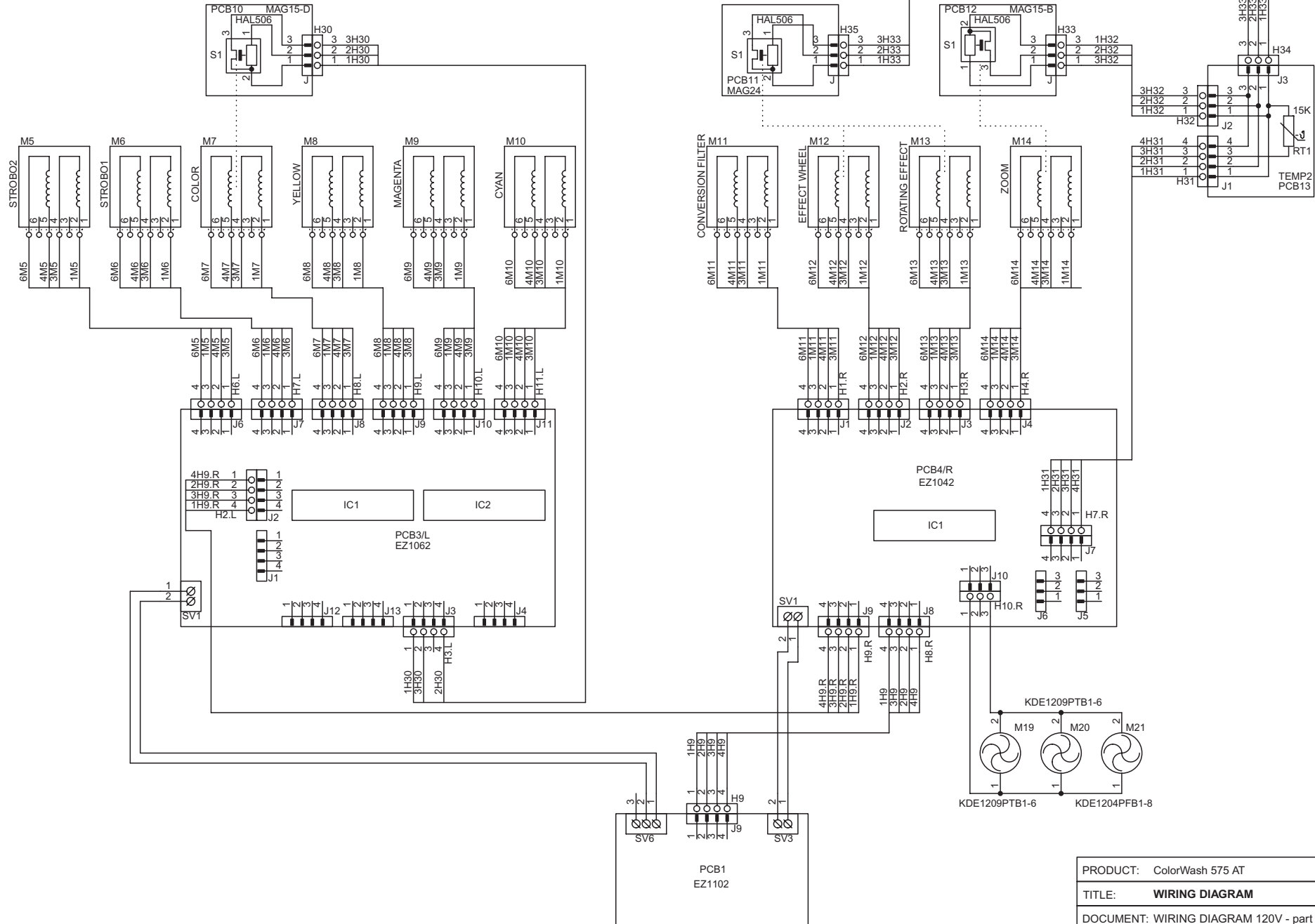


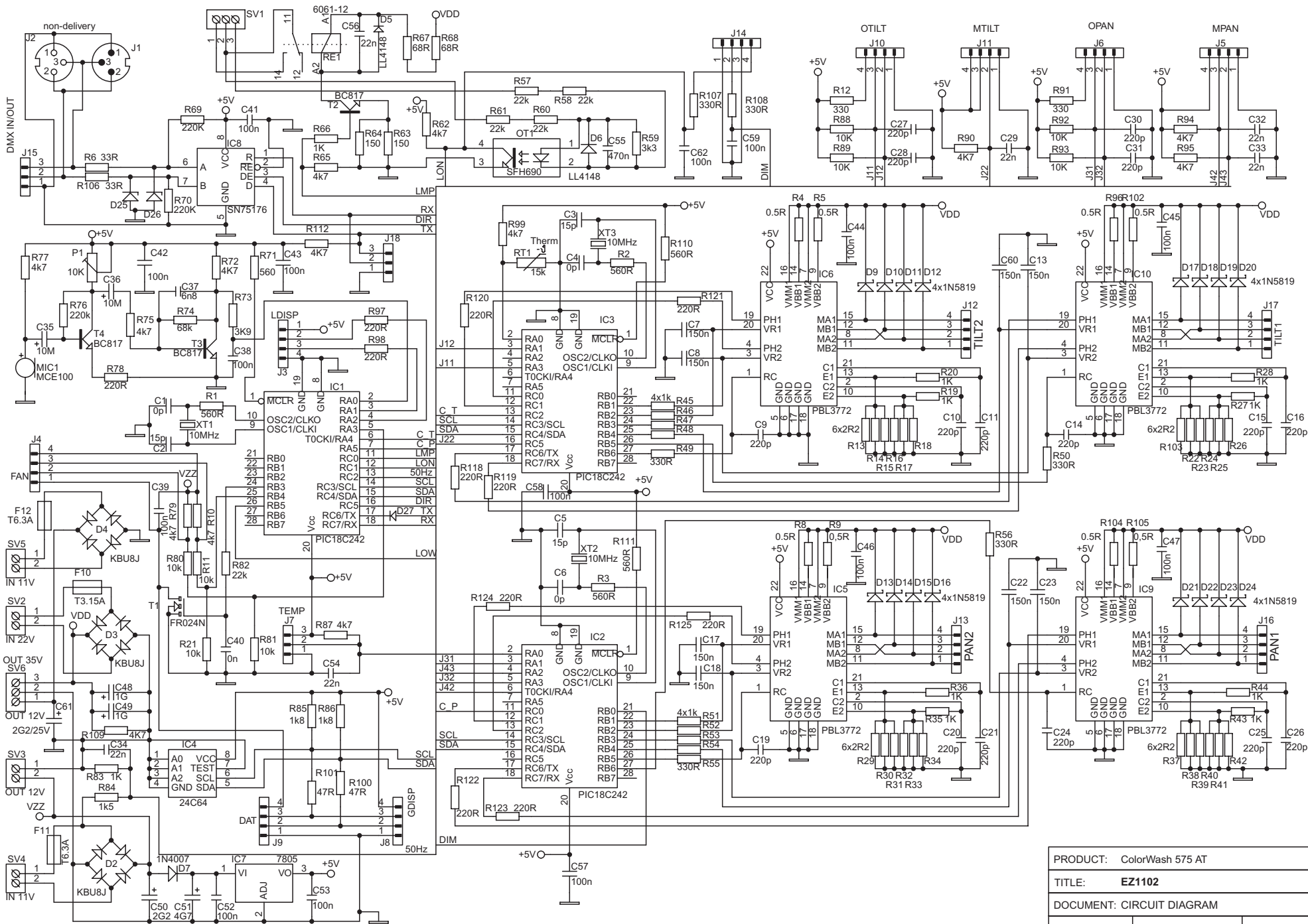
PRODUCT: ColorWash 575 AT		
TITLE: WIRING DIAGRAM		
DOCUMENT: WIRING DIAGRAM 230V - part 2		
VERSION: A	DATE: 20.4.2005	SHEET: 2 OF 8



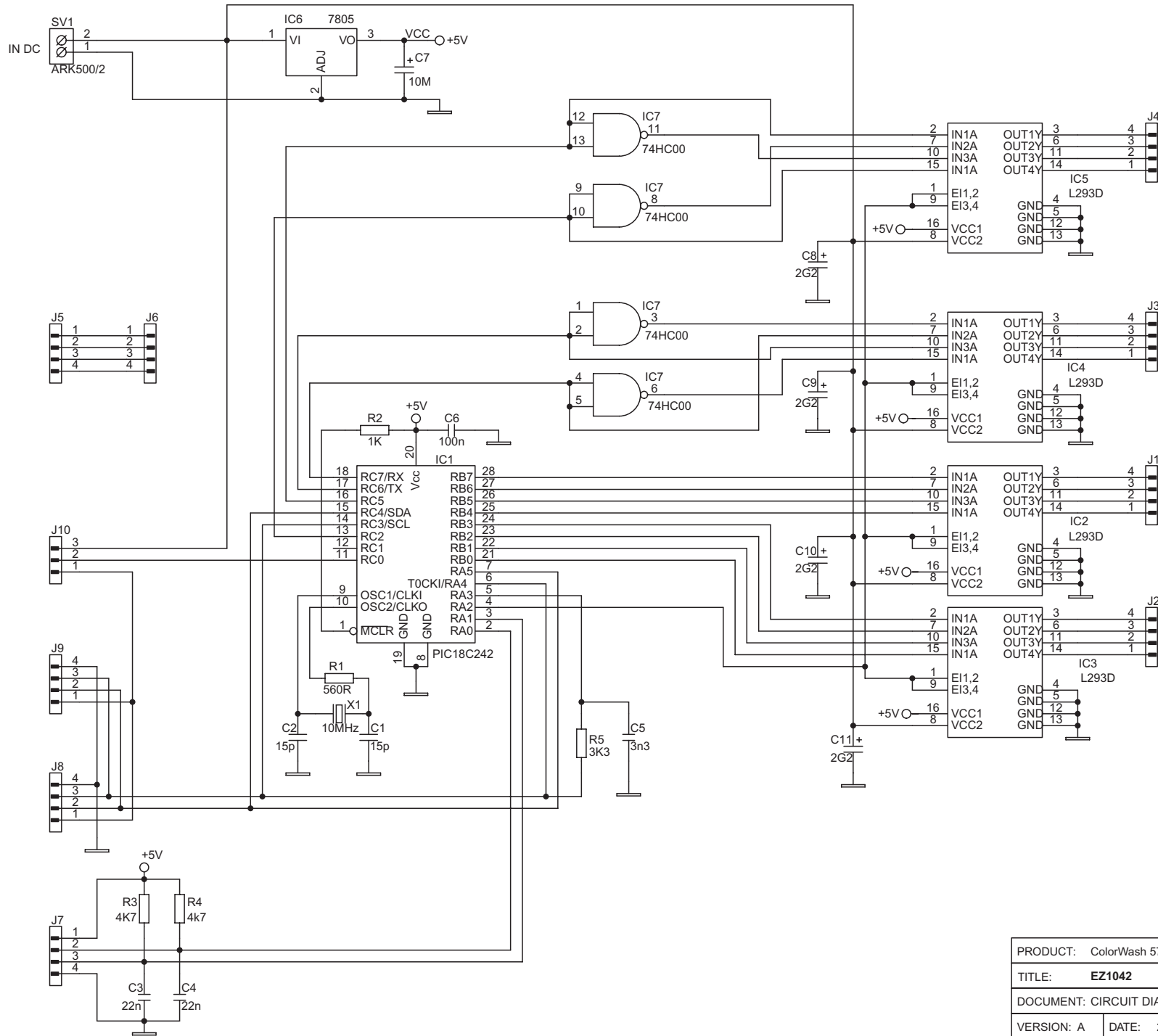
PRODUCT: ColorWash 575 AT		
TITLE: WIRING DIAGRAM		
DOCUMENT: WIRING DIAGRAM 120V - part 1		
VERSION: A	DATE: 20.4.2005	SHEET: 3 OF 8



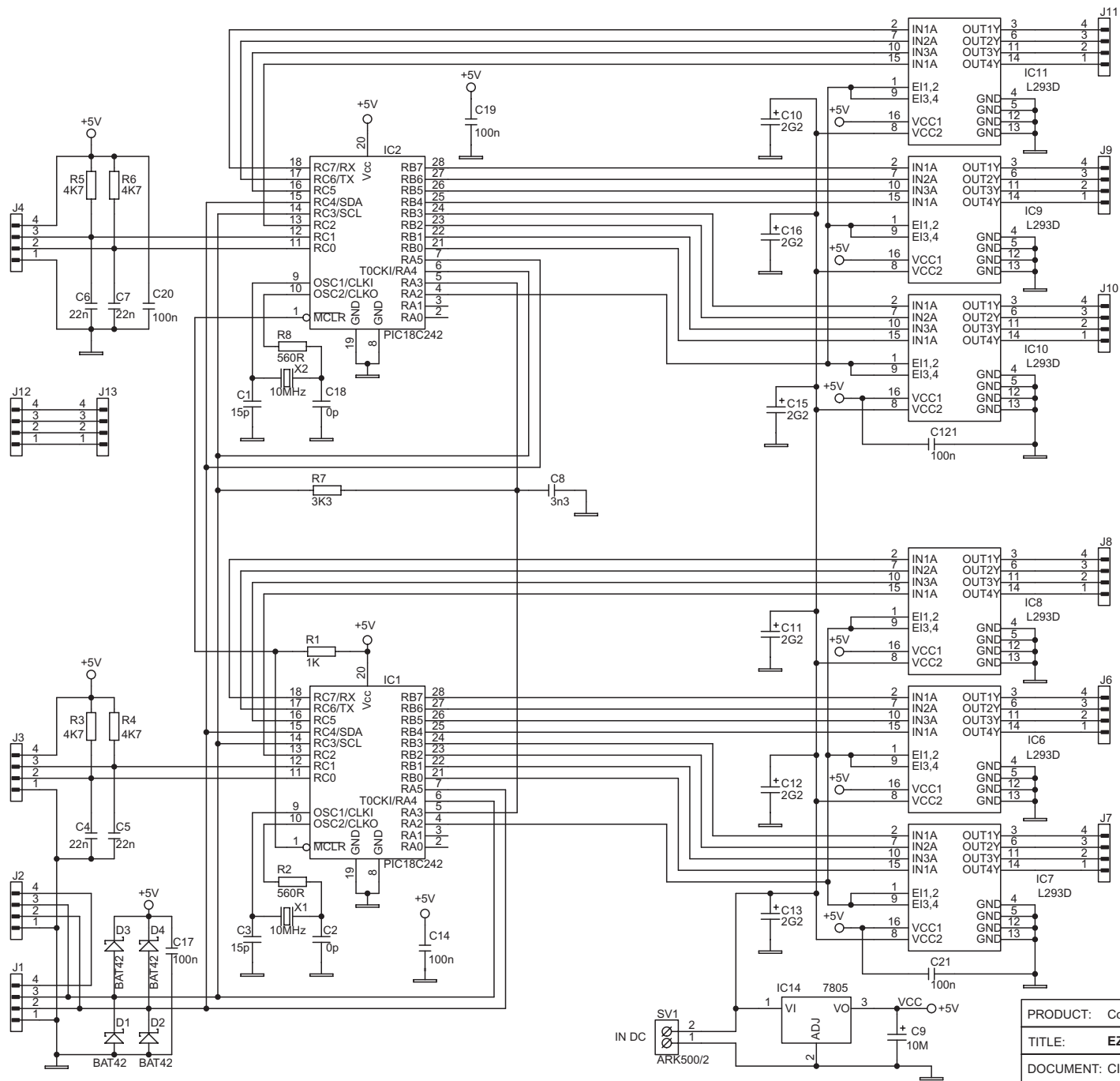
PRODUCT: ColorWash 575 AT		
TITLE: WIRING DIAGRAM		
DOCUMENT: WIRING DIAGRAM 120V - part 2		
VERSION: A	DATE: 20.4.2005	SHEET: 4 OF 8



PRODUCT: ColorWash 575 AT		
TITLE: EZ1102		
DOCUMENT: CIRCUIT DIAGRAM		
VERSION: A	DATE: 20.4.2005	SHEET: 5 OF 8

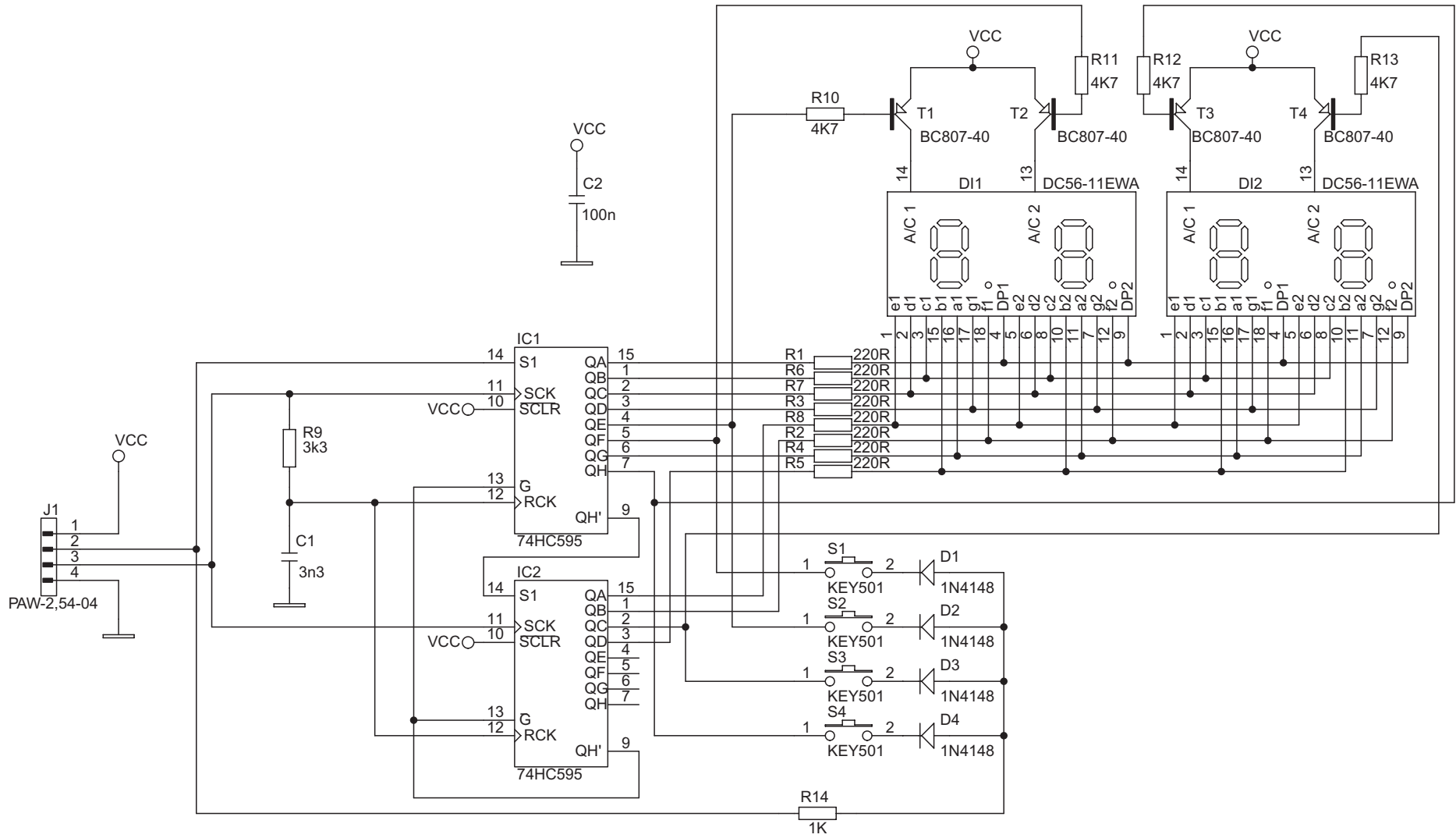


PRODUCT: ColorWash 575 AT		
TITLE: EZ1042		
DOCUMENT: CIRCUIT DIAGRAM		
VERSION: A	DATE: 20.4.2005	SHEET: 6 OF 8



PRODUCT: ColorWash 575 AT		
TITLE: EZ1062		
DOCUMENT: CIRCUIT DIAGRAM		
VERSION: A	DATE: 20.4.2005	SHEET: 7 OF 8

- 1 - Vcc +5V
- 2 - DATA
- 3 - CLOCK
- 4 - GND



PRODUCT: ColorWash 575 AT		
TITLE: EZND11B KEY		
DOCUMENT: CIRCUIT DIAGRAM		
VERSION: A	DATE: 20.4.2005	SHEET: 8 OF 8